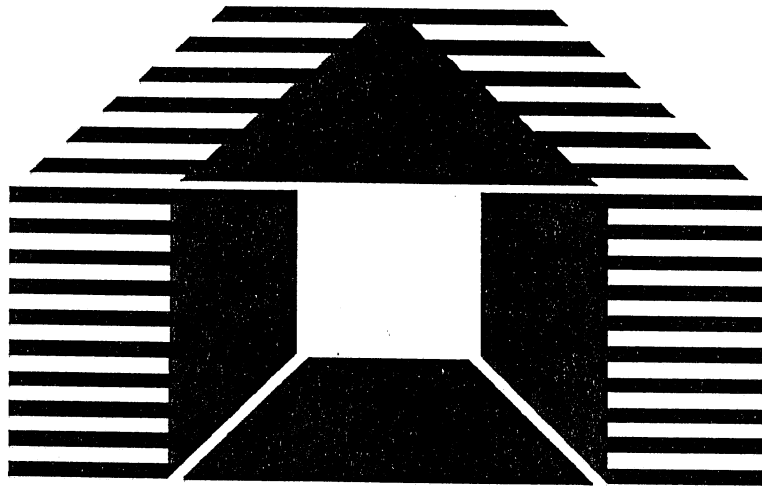


 **AudioSource**  
**IW Two**

In-Wall Two Way Stereo  
Speaker System



Congratulations on your new purchase and welcome to the AudioSource family of satisfied customers. We trust that you will continue to enjoy the value and quality of your AudioSource IW Two In Wall Loudspeaker. In order to make sure that you are experiencing the best performance out of your unit, please take a few moments to read this manual before you get started. Also, be sure to retain this manual should you need to refer to it in the future.

## **A Few Words About In Wall Speakers**

The IW Two In Wall loudspeaker is designed to accurately reproduce music, including today's demanding digital signals. In Wall speakers are designed so that the wall itself, and the space behind it, actually becomes the speaker "cabinet". Mounted flush to the wall, they require absolutely no floor space. The frames and grilles may be painted to blend with any decor. The discrete compact format makes the IW Two ideal for many applications where traditional speakers would be impractical or impossible. The IW Two may be used independently where space is a consideration, or to bring music to additional rooms in the house. The IW Two can also be used to enhance and enrich subwoofer and Surround Sound systems, for which they are especially suited.

### **Speaker Placement**

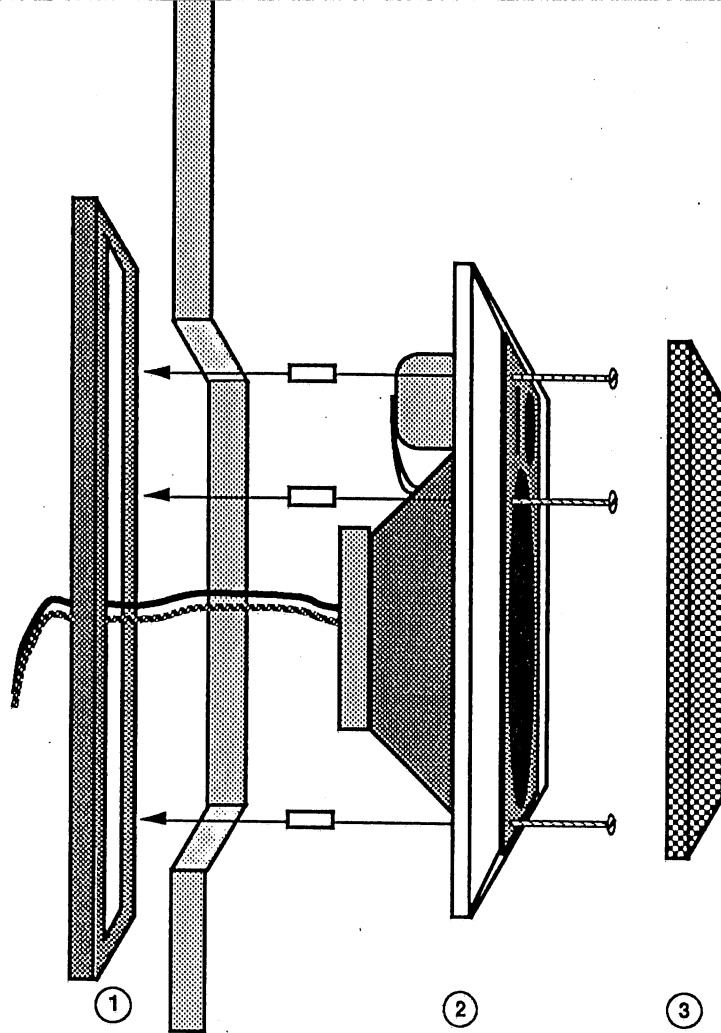
Once installed, In Wall speakers are not easily moved or re-positioned. Take a little extra time to carefully consider a good speaker location before you begin. Each room is unique, so decide what works best for you. Unlike traditional speakers, In Walls mount flush and cannot be "angled" or "aimed" back into the listening area from the corners of a room. As a general rule, the speakers should be mounted close to ear level, and at least one-third of the distance from the corner of the room to the center of the wall you wish to mount them in. Position the speaker so that the tweeter is on top, doing so will assure clean, crisp "mid" and "high" response.

Allow at least 1 1/2" of clearance between the cut out and any studs or joists for the mounting hardware to work properly. A mounting depth of 3 1/4" measured from the face of the wall is also required. The speaker location and associated mounting hardware should not conflict with any existing wires or pipes. For new constructions, you may wish to use the AudioSource RI-Two optional rough-in kit.

### **Hooking Up The Wires**

The push-on terminals on the IW Two will accommodate up to 16 gauge speaker wire, which should be used for longer connections. For shorter distances, 18 gauge speaker wire will be adequate. Leave about two feet of extra wire at the speaker end to make installation and positioning of the IW Two easier. Do not use staples, nails or other metal objects to secure the speaker wire. The resulting short circuit could affect your system's performance, and could also damage components in your system, especially the amplifier. You will get the best sound quality and least amount of "hum" by keeping the speaker wires away from other electrical wires and cables.

When connecting your IW Two In Wall speaker, it is very important to retain the correct polarity. To do this, be sure that the wire attached to the "+", red, positive, or hot terminal on the IW Two is connects to the "+", red, positive or hot terminal on the other component. Similarly, the "-", black, negative or ground terminals must connect to the respective "-", black, negative or ground terminals. This is easy to do by observing the color, stripe, or ribbing that appears on the wire. The terminals and speakers will also be marked "Left " or "Right", and should be connected accordingly.



## Speaker Mounting

Yes, you will be cutting a hole in the wall. With the right tools and a little extra care and preparation, installing the IW Two can be both quick and easy. Position the paper template where you have chosen to mount the speakers, and trace along the **INSIDE** edge. Make your cuts along this line. A utility knife will make the cleanest cuts in drywall. A keyhole saw or an electric jigsaw may also be used. Try to keep the cuts neat, however the frame will overlap the hole to hide any rough edges. At this point, with the wall open, run the speaker wires into position, and again, leave about two feet of extra wire at the opening.

The IW Two consists of three main pieces, shown in the diagram above; (1) the bracket, (2) the frame with the mounted speaker, and (3) the grille. The bracket and the frame will form a "sandwich" or "clamp" around the wall to hold the speaker in place. Place four of the six bolts through the four upper holes near the tweeter in the speaker frame. Slide foam isolation washers onto each of these bolts and start them (by turning a few turns) into the corresponding holes in the bracket, but do not tighten them yet. Attach the speaker wires to the speaker, making sure the wires are fed through the opening in the bracket. Next drop the bottom edge of the bracket into the wall until the top edge also clears the opening, so that the entire bracket is now behind the wall. Center the speaker and tighten down the bolts. Insert the two bottom bolts and tighten them down as well. Check and make sure all six bolts are now secure. Your AudioSource IW Two is now installed!

## Mounting The Grille

The metal grille, as well as the frames, may be painted to match any room. If you choose to paint them, do so before attaching them to the speakers. The grille is held in place by a friction fit. We have also included adhesive strips which will help hold the grille in place and also prevent it from rattling. Place the adhesive strips along the inside edges of the frame and press the grille into place.

## Warranty

We at AudioSource would like to thank you for choosing our product. You can take pride in owning this quality crafted unit; we take pride in having built it.

Please read your warranty. It is valuable to you as well as to any subsequent owner during the term of the warranty. The transferability of the warranty is an unusual feature and that is why we claim we warrant the product, not just the purchaser. We have tried to supply as much information as we could; but remember, if you need assistance with our products, we are here to help.

## Specifications

Frequency Response: .....	70 to 20,000 Hz
Power Capacity: .....	75 Watts, Maximum
Impedance: .....	8 Ohms
Sensitivity: .....	90 dB
Woofers: .....	6.5" Polycarbonate cone
Tweeter: .....	1" Soft dome
Crossover Frequency: .....	3,000 Hz
Mounting Depth: .....	3.25 Inches
Dimensions: .....	12"H x 8 5/8"W x 3 1/4 "D

**AudioSource®**

1327 N. Carolan Avenue  
Burlingame, CA 94010

Printed in China.